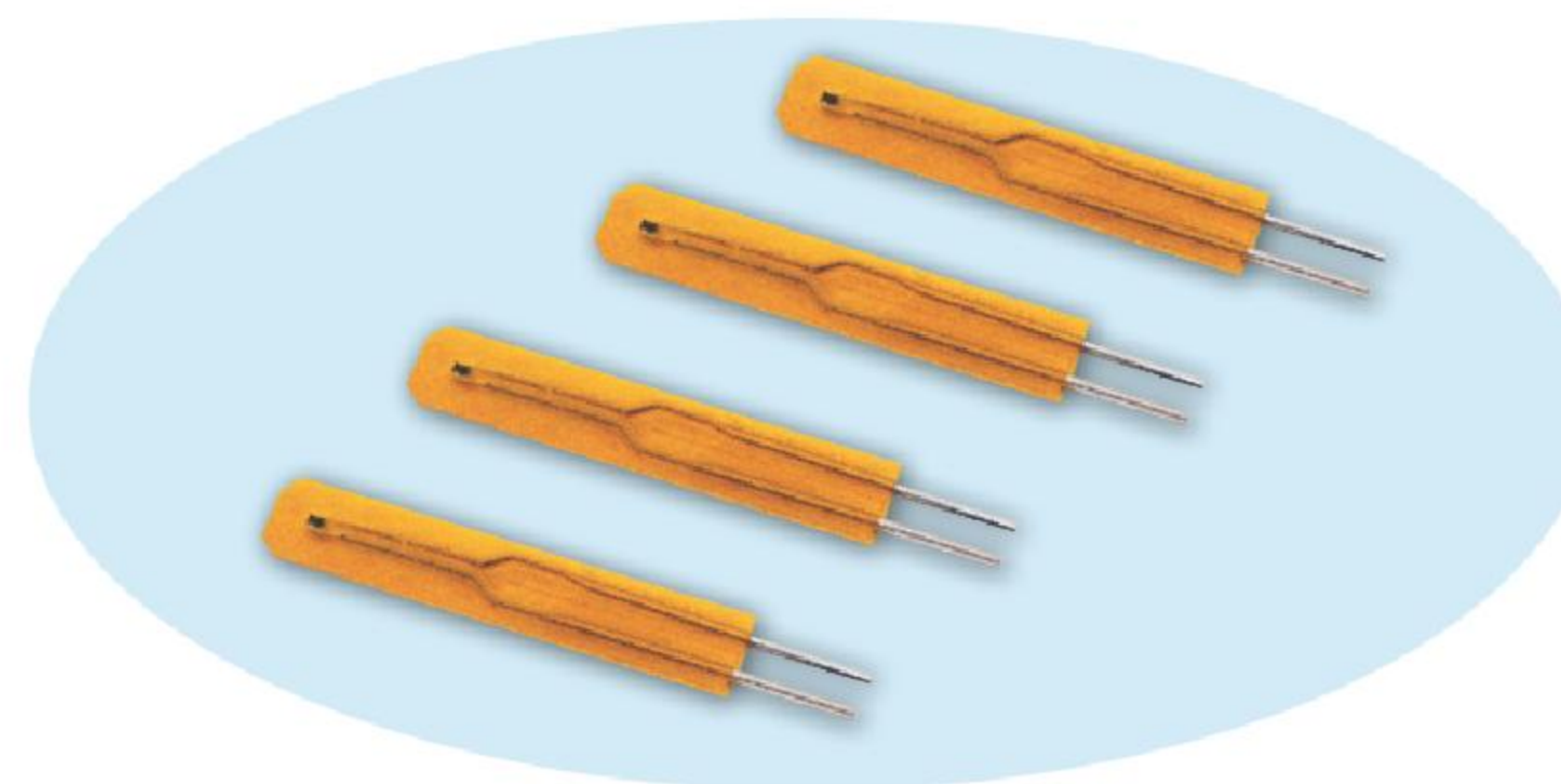


负温度系数(NTC)热敏电阻器

Negative Temperature Coefficient (NTC) Thermistor

MF55薄膜测温型NTC热敏电阻器系列

MF55 Series Thin Film Temperature-Measurement NTC Thermistor


● 应用范围

- 电脑
- 打印机
- 家用电器

● Applications

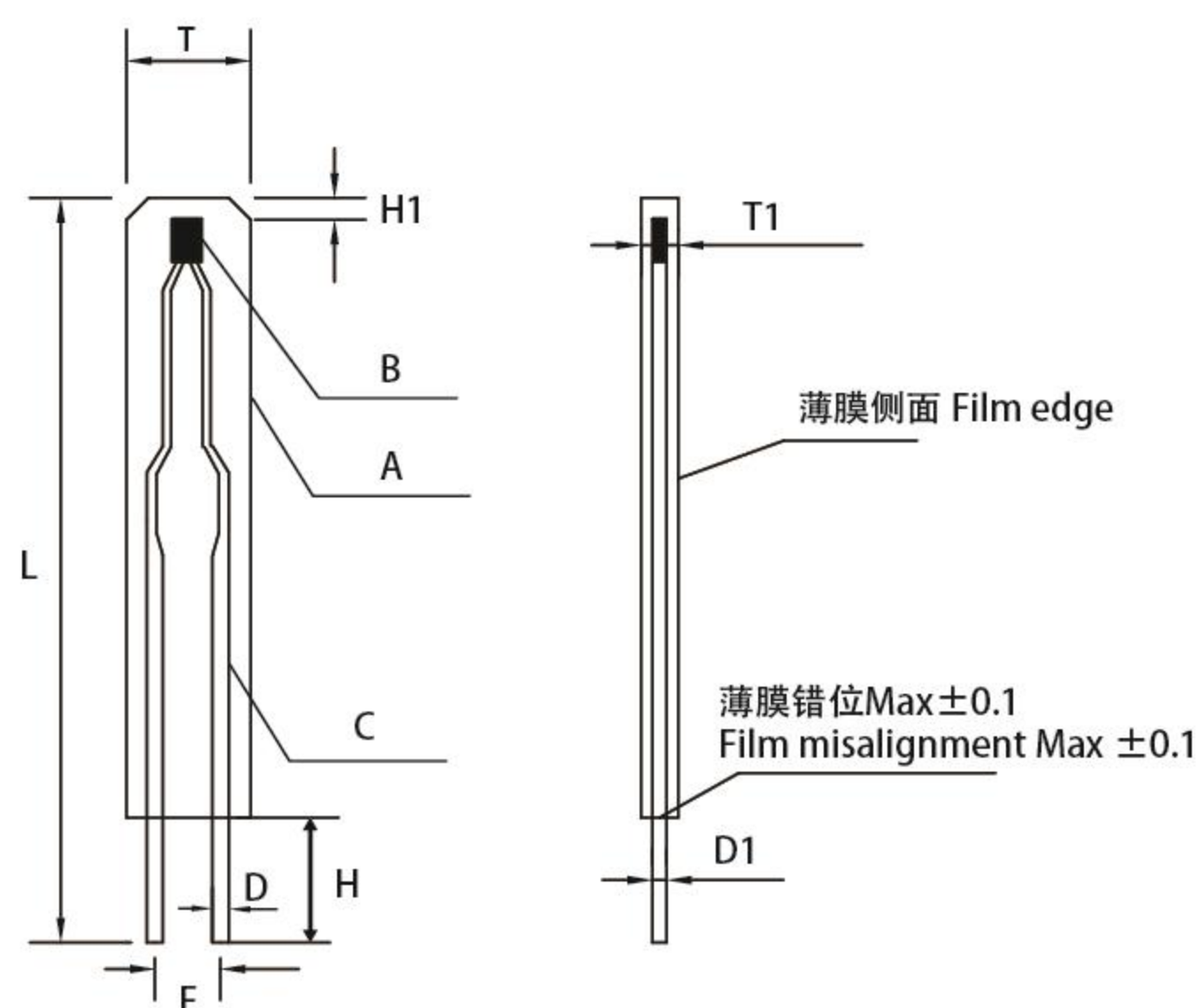
- Computers
- Printers
- Household appliances

● 特点

- 灵敏度高、热感应快
- 稳定性好、可靠性高
- 绝缘性好
- 阻值精度高
- 使用安全
- 体积小、重量轻、结构坚固便于自动化安装

● Features

- High Sensitivity, Fast Thermal Response.
- Excellent Stability, High Reliability.
- Excellent Electrical Insulation Properties.
- High Resistance Value Accuracy.
- Safe to Use.
- Compact Size, Lightweight, Sturdy Structure, Suitable for Automatic installation.

● 外形结构和尺寸 Dimensions (mm)


- A 聚酰亚胺膜 Polyimide film
- B 芯片 Chip
- C 磷铜架 Phosphor cooper frame

尺寸 Dim. (mm)	代号 Code	L	F	T	T1	H	H1	D	D1
		±1	±0.2	Max	Max	±1	±0.05	±0.02	±0.02
型号 Part No.									
MF55		25	2	5	0.7	5	2.5	0.5	0.15

● 主要技术参数 Main Technical Specifications

型号 Part No.	25°C的零功率电阻值 Zero-Power Resistance at 25°C R ₂₅		B值 (25/50°C) B Value (25/50°C)		耗散系数约 Dissipation Constant Approx.	热时间常数约 Thermal Time Constant Approx.	25°C时最大额定功耗 Max. Power Rating at 25°C	工作温度 Operating Temperature
	阻值范围 Range (KΩ)	允许偏差 Allowable Tolerance (%)	标称值 Nominal Value (K)	允许偏差 Allowable Tolerance (%)	δ(mW/°C)	τ(s)	Pmax (mW)	(°C)
MF55-□□□□	5-500	F: ±1 G: ±2 H: ±3 J: ±5	3270~4750	F: ±1 G: ±2	约0.8mW/°C 静止空气中 About 0.8mW/°C in Stil Air	约5s 静止空气中 About 5s in Stil Air	50	-40~+125

● 产品标志说明 Marking Instruction


B值允许偏差代号 (±1%时省略)
 Allowable B Value Tolerance Code (Annotation omitted for ±1%)
 E: ±0.5%, F: ±1%, G: ±2%

B值 B Value: 3380K

阻值允许偏差代号: F: ±1%, G: ±2%, H: ±3%, J: ±5%, K: ±10%
 Allowable Resistance Value Tolerance Code: F: ±1%, G: ±2%, H: ±3%, J: ±5%, K: ±10%

额定零功率电阻值: 103为10KΩ
 Rated Zero-Power Resistance Value: 103 represents 10KΩ

薄膜测温型NTC热敏电阻器
 Thin Film Temperature-Measurement NTC Thermistor