

负温度系数(NTC)热敏电阻器

Negative Temperature Coefficient (NTC) Thermistor

MF74超大功率型NTC热敏电阻器系列

MF74 Series NTC Thermistor for Super High-Power Inrush Current Limiting

● 特点 Features

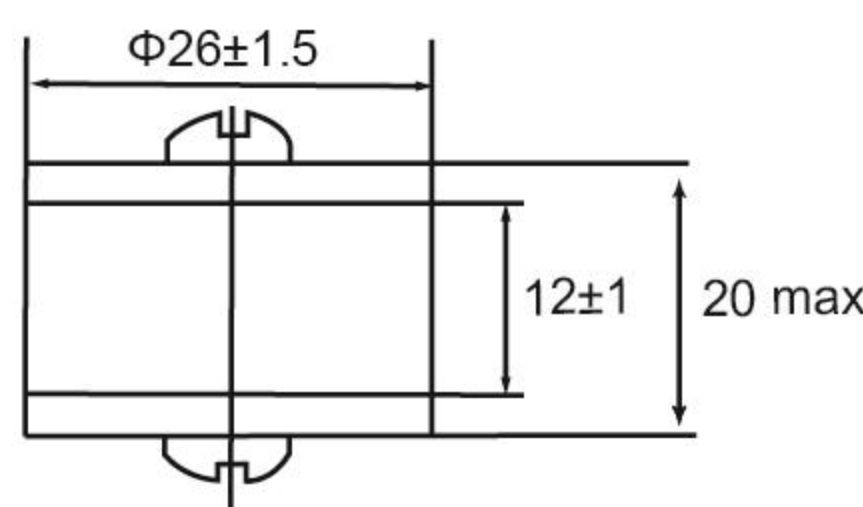
- 结构可靠、便于安装
- 抑制浪涌电流能力强
- 工作的稳态电流大
- 较大稳态电流下能持续工作

- Reliable structure, Easy to install.
- Strong surge current suppression capabilities.
- High steady-state current during operation.
- Sustained operation under larger steady-state currents.

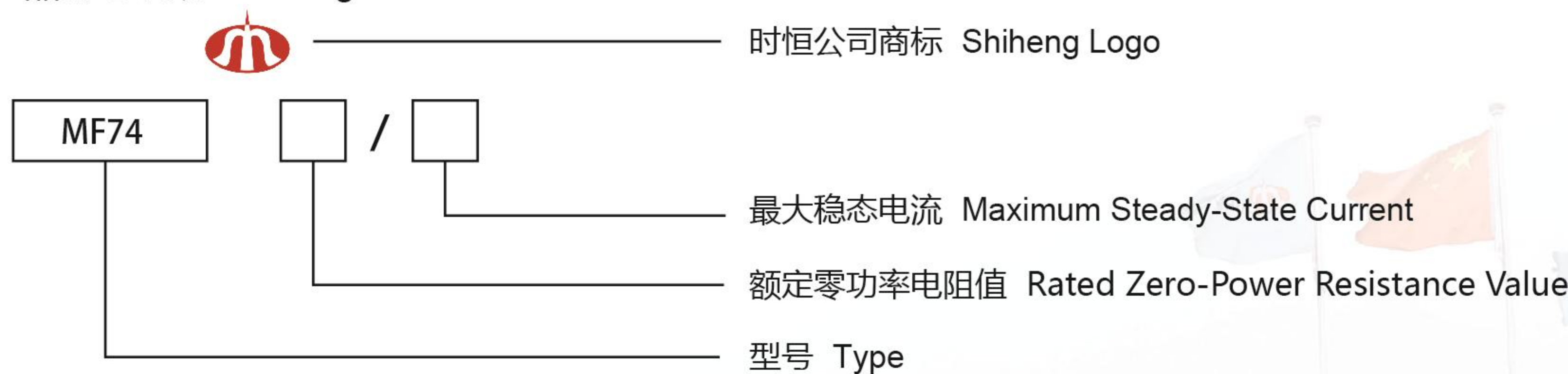
● 应用范围 Applications

- 转换电源，开关电源，UPS电源
- 各类大功率照明灯具
- 电加热器
- Power Converters, switching power supplies, UPS power supplies.
- Various high-power lighting fixtures.
- Electric heaters.

● 外形尺寸 Dimensions (mm)



● 产品标志说明 Marking Instruction



● 主要技术参数 Main Technical Specifications

工作温度 Operating Temperature (°C): -55~+200°C

型号 Part No.	R ₂₅ ±20% (Ω)	25°C时最大稳态电流 Max. Steady-state Current at 25°C	最大电流时 近似电阻值 Approx. Resistance at Max. Current	耗散系数约 Dissipation Constant Approx.	热时间常数约 Thermal Time Constant Approx.	最大冲击电容量 Max.Capacitance at 240 VAC
		I _{max} (A)	R _{max} (Ω)	δ (mW/°C)	τ(s)	(μF)
MF74 0.5/40	0.5	40	0.00875	118	340	3000
MF74 0.7/36	0.7	36	0.01100	118	340	3000
MF74 1/32	1	32	0.01370	118	340	3000
MF74 1.5/27	1.5	27	0.02060	118	340	3000
MF74 2/25	2	25	0.02400	120	340	3000
MF74 2.5/25	2.5	25	0.02520	120	350	3000
MF74 3/23	3	23	0.02930	123	350	2200
MF74 4/21	4	21	0.03400	123	350	2200
MF74 5/21	5	21	0.03640	123	350	2200
MF74 6/18	6	18	0.04940	123	360	1500
MF74 8/18	8	18	0.05250	123	360	1500
MF74 10/18	10	18	0.05550	125	345	1500
MF74 12/15	12	15	0.06220	125	345	1500
MF74 16/15	16	15	0.06880	125	345	1500
MF74 20/15	20	15	0.07450	125	345	1500
MF74 25/15	25	15	0.08570	125	345	1500
MF74 30/12	30	12	0.11700	125	350	1500



专利号: ZL03277490.7
Patent No.: ZL03277490.7